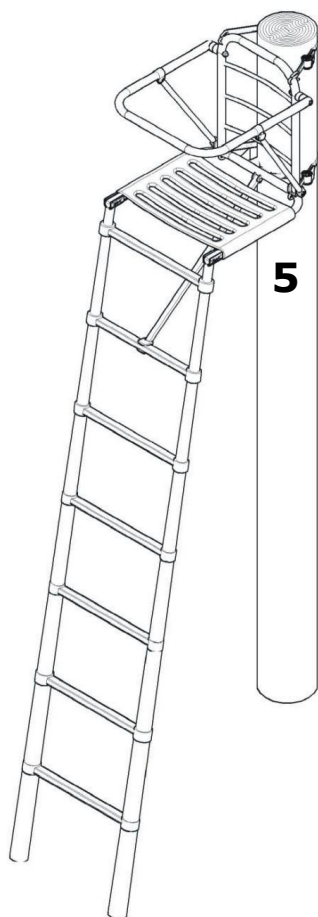
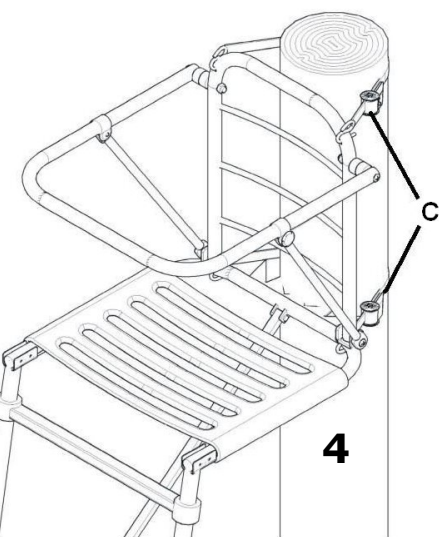
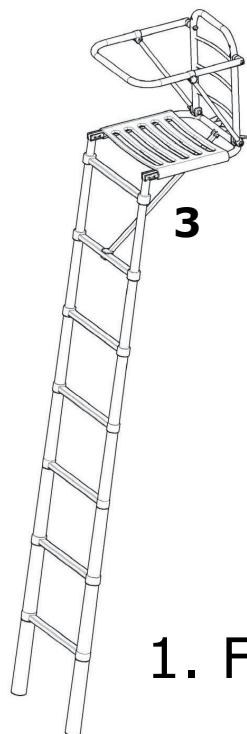
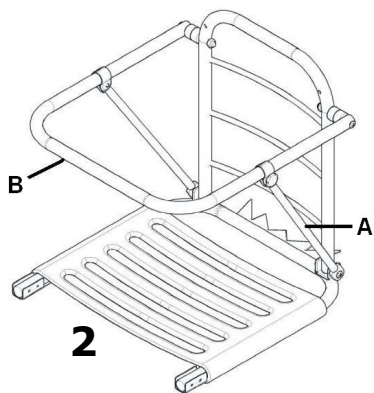


**DAN**  
gate

# HS-50 MANUAL



**Warning:** Installation and use of the treestand must be carried out by someone who is confident with the use of treestands. Be careful when assembling the ladder, and always remember to check the letter before use. Never use the ladder if it shows clear signs of wearing or defects. Make sure the ladder is placed on a stable and even surface. Before using the ladder, the user must ensure that the ladder is in a safe condition. Maximum allowed load is 125 kg and must not be exceeded. Make sure the ladder is not in contact with any live electrical wires. Remember to follow any laws for the use of hunting ladders and treestands before use. Do not let children play on the ladder.

1. Folded for transport.

2. Mount steel washers (A) to the rifle-rest (B) on both sides. Insert bolts in the seat-frame and insert washers between seat and ladder-step.

3. Pull the ladder out to fit the desired length.

4. Put the ladder against a stable tree or pole. Fasten the ladder with the included straps (C). Make sure the latter is placed on a firm and even surface.

5. Fully installed HS-50 ladder